

DATASHEET
Optiway
Optical Pathway
System

CONTEG

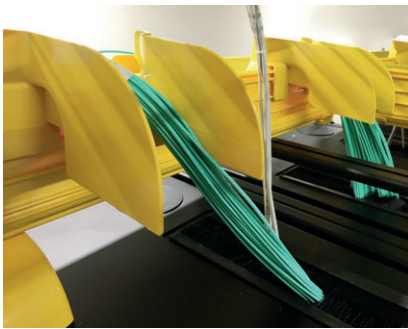
OPTIWAY OPTICAL PATHWAY SYSTEM



➤ **OptiWay** is designed to provide a safe, easy-to-use and cost-effective management system for fragile optical cables. OptiWay allows you to route fiber-optic cables between equipment, providing both the physical protection and bend radius management crucial to optical cable performance.

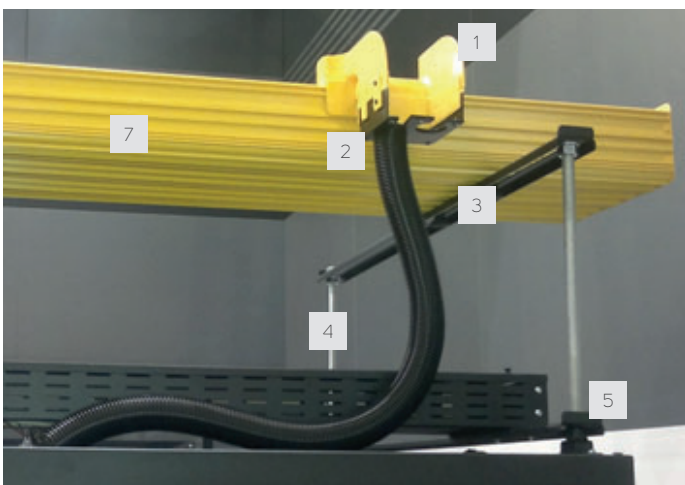
MAIN ADVANTAGES

- Fully modular, scalable system
- Bend radius protection
- Halogen-free PC-ABS material, compliant with UL 94 V-0
- Designed for three installation variables: hung from ceiling, top of rack support or a combination of these
- Multilevel installation
- Differentiation of wiring routing by colored extrusion
- Possibility of covering the entire cable route up to the level of the top plate rack

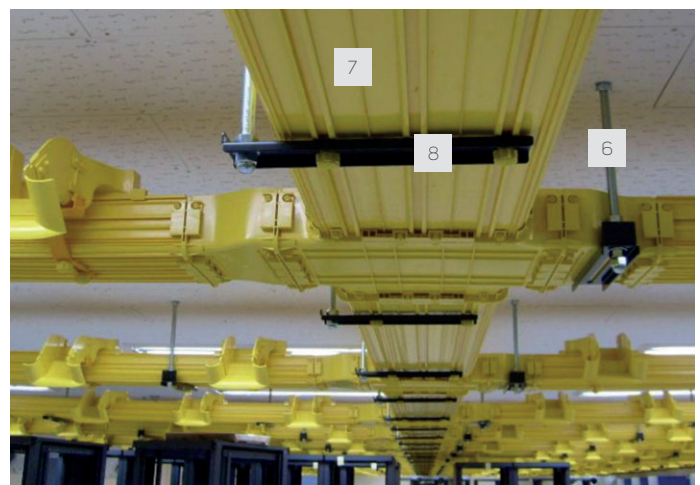


Description of pictures 1 and 2 below

No.	Code	Description
1	OPW-10DRF-Y	Direct spillover
2	OPW-10DRF-TG	Spillover fall-out tube guide (up to two tubes)
3	OPW-RRB-100	Threaded rod attachment bracket (rack mounting)
4	OPW-TR-16/40	Threaded rod
5	OPW-TR-BR	Threaded rod mounting bracket
6	OPW-TR-16/100	Threaded rod
7	OPW-30MD2M	Main duct
8	OPW-TRB-30	Threaded rod attachment bracket (ceiling mounting)



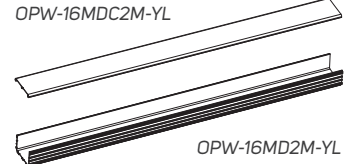
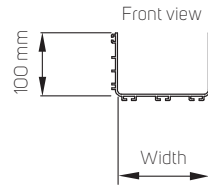
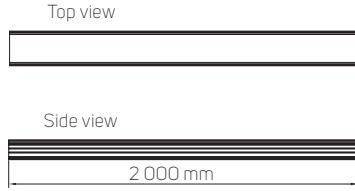
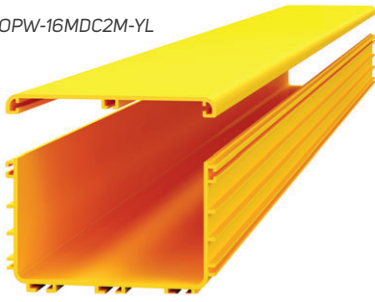
1. OptiWay installation with Direct spillover on top of rack



2. OptiWay ceiling installation

MAIN DUCT

OPW-16MDC2M-YL



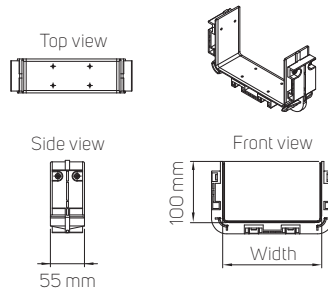
OPW-16MD2M-YL

- An extruded 2-meter-long conduit; can be connected with other OptiWay products using joiners
- Delivered in even numbers (packaged by 2 pcs = 4 m)
- Color: Yellow
- Can be easily cut to length on-site
- Duct load rating 20 kg/m; required distance between brackets max. 900 mm

Code	Inner duct size (mm)		Length (m)	Package
	H	W		
OPW-16MD2M-YL	100	160	2	2 pcs
OPW-30MD2M-YL	100	300	2	2 pcs
Covers				
OPW-16MDC2M-YL	-	160	2	1 pc
OPW-30MDC2M-YL	-	300	2	1 pc

JOINER

OPW-16JO-YL

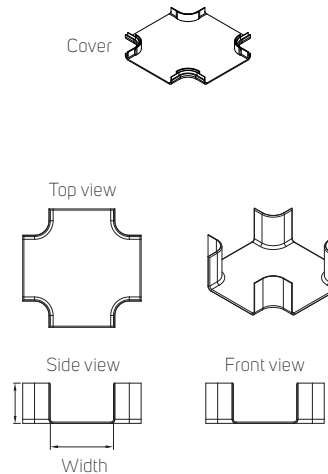
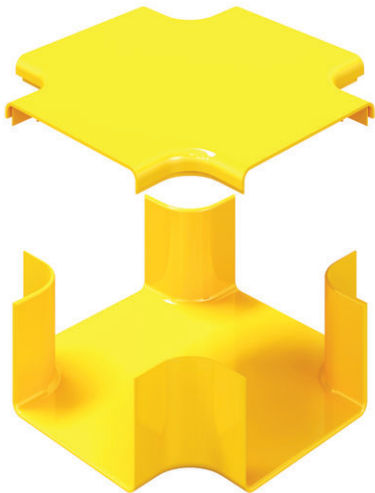


- Used to connect two OptiWay component
- Does not require drilling of duct or components
- Color: Yellow
- Package includes: 1x joiner, 8x screws

Code	Inner duct size (mm)		Package
	H	W	
OPW-10JO-YL	100	100	1 pc
OPW-16JO-YL	100	160	1 pc
OPW-30JO-YL	100	300	1 pc

CROSS

OPW-16CAC-YL

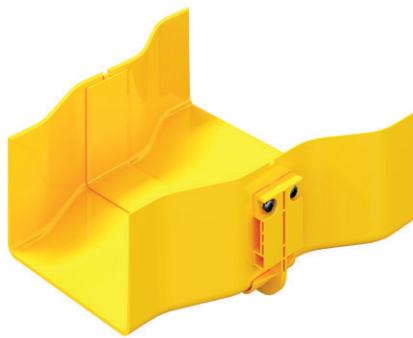


OPW-16CA-YL

- Used to establish a 4-way, right-angled intersection
- Four joiners required per cross
- Color: Yellow

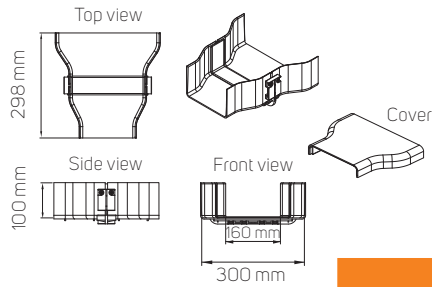
Code	Inner duct size (mm)		Package
	H	W	
OPW-16CA-YL	100	160	1 pc
OPW-30CA-YL	100	300	1 pc
Covers			
OPW-16CAC-YL	-	160	1 pc
OPW-30CAC-YL	-	300	1 pc

REDUCER



OPW-3016RD-YL

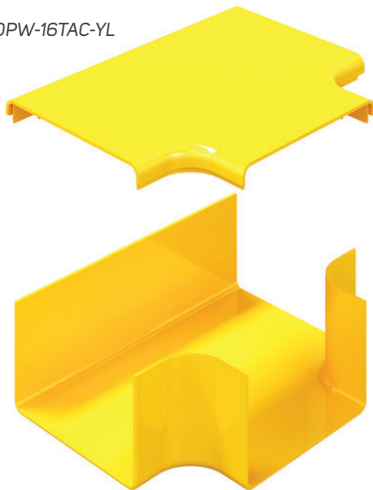
- Allows 300×100 mm and 160×100 mm OptiWay sections to be joined together
- Two joiners required per reducer
- Color: Yellow



Code	Inner duct size (mm)		Package
	H	W1/W2	
OPW-3016RD-YL	100	300/160	1 pc
Cover			
OPW-3016RDC-YL	–	300/160	1 pc

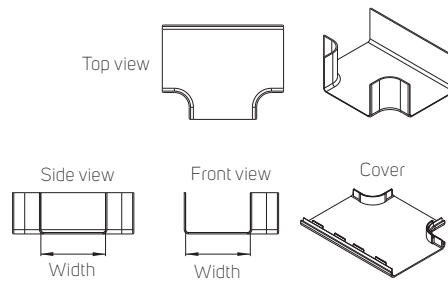
TEE

OPW-16TAC-YL



OPW-16TA-YL

- Used to establish a 3-way, right-angled intersection
- Three joiners required per tee
- Color: Yellow



Code	Inner duct size (mm)		Package
	H	W	
OPW-16TA-YL	100	160	1 pc
OPW-30TA-YL	100	300	1 pc
Covers			
OPW-16TAC-YL	–	160	1 pc
OPW-30TAC-YL	–	300	1 pc

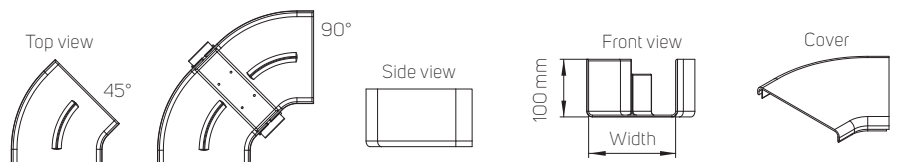
HORIZONTAL ELBOW

OPW-16HA45C-YL



OPW-16HA45-YL

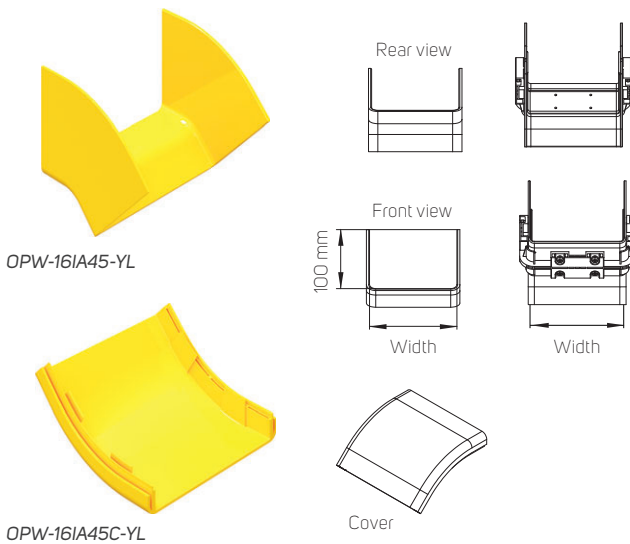
- Allows ducts to be diverted through 45° or 90°
- Two joiners required per elbow
- Color: Yellow



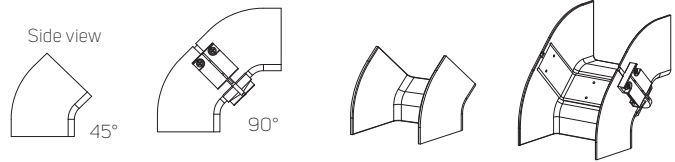
OPW-16HA90-YL

Code	Typ	Inner duct size (mm)		Package
		H	W	
OPW-16HA45-YL	45°	100	160	1 pc
OPW-30HA45-YL	45°	100	300	1 pc
OPW-16HA90-YL	90°	100	160	1 pc
OPW-30HA90-YL	90°	100	300	1 pc
Covers				
OPW-16HA45C-YL	45°	–	160	1 pc
OPW-30HA45C-YL	45°	–	300	1 pc
OPW-16HA90C-YL	90°	–	160	1 pc
OPW-30HA90C-YL	90°	–	300	1 pc

VERTICAL INSIDE ELBOW

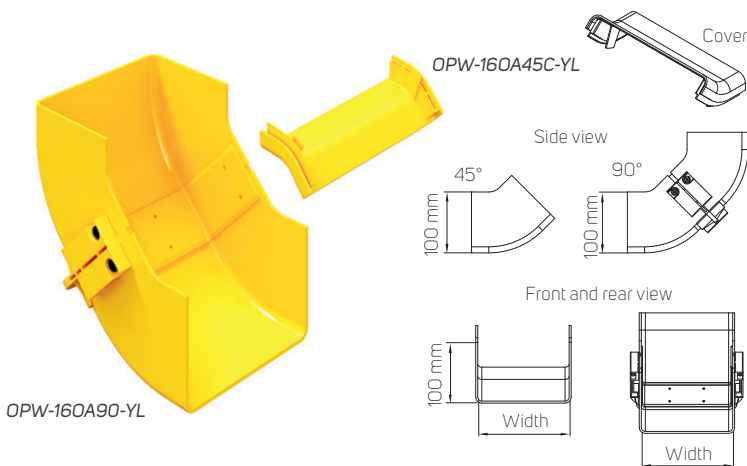


- Allows ducts to be diverted through 45° or 90° with an inside angle (usually in a downward direction)
- Two joiners required per elbow
- Color: Yellow



Code	Type	Inner duct size (mm)		Package
		H	W	
OPW-16IA45-YL	45°	100	160	1 pc
OPW-30IA45-YL	45°	100	300	1 pc
OPW-16IA90-YL	90°	100	160	1 pc
OPW-30IA90-YL	90°	100	300	1 pc
Covers				
OPW-16IA45C-YL	45°	-	160	1 pc
OPW-30IA45C-YL	45°	-	300	1 pc
OPW-16IA90C-YL	90°	-	160	1 pc
OPW-30IA90C-YL	90°	-	300	1 pc

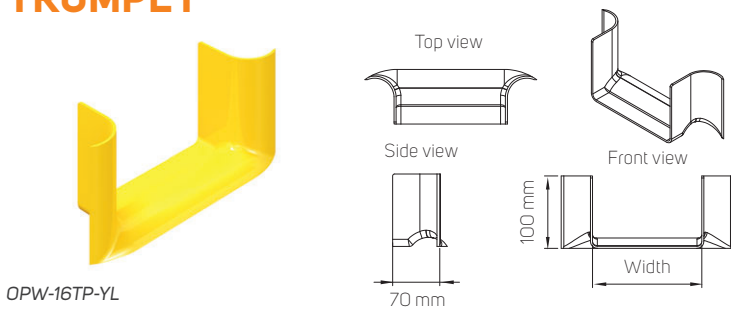
VERTICAL OUTSIDE ELBOW



- Allows ducts to be diverted through 45° or 90° with an inside angle (usually in an upward direction)
- Two joiners required per elbow
- Color: Yellow

Code	Angle	Inner duct size (mm)		Package
		H	W	
OPW-160A45-YL	45°	100	160	1 pc
OPW-300A45-YL	45°	100	300	1 pc
OPW-160A90-YL	90°	100	160	1 pc
OPW-300A90-YL	90°	100	300	1 pc
Covers				
OPW-160A45C-YL	45°	-	160	1 pc
OPW-300A45C-YL	45°	-	300	1 pc
OPW-160A90C-YL	90°	-	160	1 pc
OPW-300A90C-YL	90°	-	300	1 pc

TRUMPET



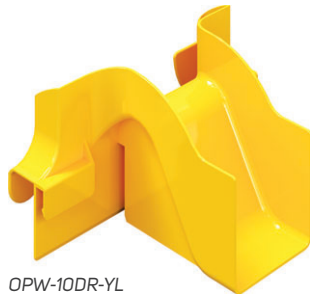
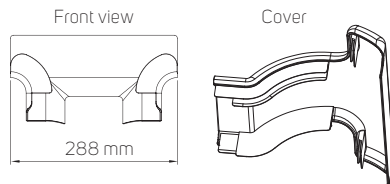
- Used to provide bend-radius control for cables entering or exiting the OptiWay ducting system
- One joiner required per trumpet
- Color: Yellow

Code	Inner duct size (mm)		Package
	H	W	
OPW-10TP-YL	100	100	1 pc
OPW-16TP-YL	100	160	1 pc
OPW-30TP-YL	100	300	1 pc

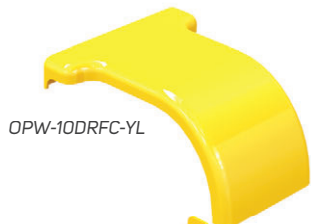
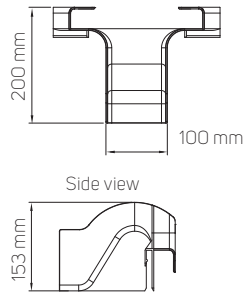
SPILLOVER



OPW-10DRC-YL



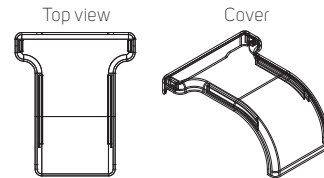
OPW-10DR-YL



OPW-10DRFC-YL



OPW-10DRF-YL



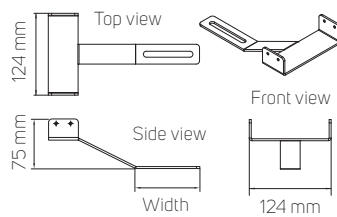
- Used to provide a protected exit for cables leaving the OptiWay ducting system
- Color: Yellow



OPW-10DRF-TG + OPW-10DRF-TB3



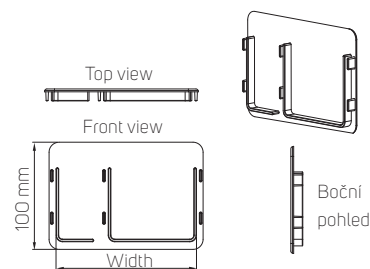
OPW-SDMB-16



END CAP



OPW-16EC-YL



- Provides a clean finish to end of OptiWay run
- Color: Yellow

Code	Inner duct size (mm)		Package
	H	W	
OPW-10DR-YL	100	100	1 pc
OPW-10DRF-YL	100	100	1 pc
Covers			
OPW-10DRC-YL	-	100	1 pc
OPW-10DRFC-YL	-	100	1 pc

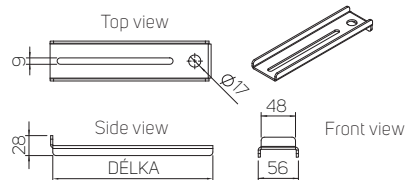
SPILLOVER ACCESSORIES		
Code	Description	Package
OPW-10JO-YL	Joiner, 100×100 mm, yellow	1 pc
OPW-10TP-YL	Trumpet, 100×100 mm, yellow	1 pc
OPW-10IA45-YL	Vertical inside elbow, 45° down angle	1 pc
OPW-SDMB-16	Support bracket for spillover OPW-10DR for 160×100 mm duct, black color. Package includes: metal bracket and 2× fixing screws	1 pc
OPW-SDMB-30	Support bracket for spillover OPW-10DR for 300×100 mm duct, black color. Package includes: metal bracket and 2× fixing screws	1 pc
OPW-10DRF-TG	Spillover fall-out tube guide (up to two tubes), without tube, black	1 pc
OPW-10DRF-TB3	Tube for spillover, outer diam. 50 mm, length 3 m, black	1 pc
OPW-10DRF-TB30	Tube for spillover, outer diam. 50 mm, length 30 m, black	1 pc

Code	Inner duct size (mm)		Package
	H	W	
OPW-16EC-YL	100	160	1 pc
OPW-30EC-YL	100	300	1 pc

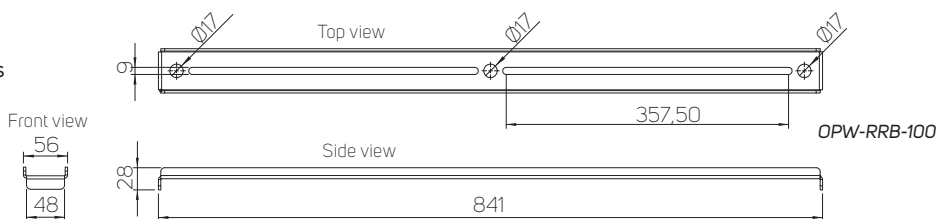
THREADED ROD ATTACHMENT BRACKET



OPW-TRB-16



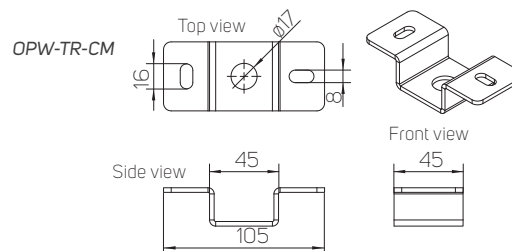
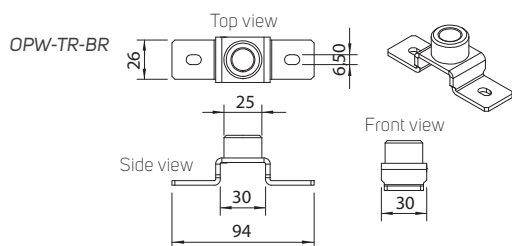
- Basic supporting element
- Color: Black
- Recommended 12–16 mm diameter threaded rod
- Package includes: metal bracket and 2× fixing screws
- Please note: brackets do not include threaded rod



Code	Bracket length (mm)	Mounting type	Rec. rack depth (mm)	Mount. holes	Package
OPW-TRB-16	160	Ceiling-mounted	all	1	1 pc
OPW-TRB-30	300	Ceiling-mounted	all	1	1 pc
OPW-RRB-40	344	Mounted on top of the half part of the rack	800	2	1 pc
OPW-RRB-50	444	Mounted on top of the half part of the rack	1000	2	1 pc
OPW-RRB-60	644	Mounted on top of the half part of the rack	1200	2	1 pc
OPW-RRB-80	641	On top of or overlapping the rack	800	3	1 pc
OPW-RRB-100	841	On top of or overlapping the rack	1000	3	1 pc
OPW-RRB-120	1041	On top of or overlapping the rack	1200	3	1 pc
OPW-SRB-60	632	OptiWay — side mounting bracket for installation of cable duct on a 600 mm wide rack — front/rear orientation	–	2	1 pc
OPW-SRB-80	832	OptiWay — side mounting bracket for installation of cable duct on a 800 mm wide rack — front/rear orientation	–	2	1 pc

Note: Max. distance required between RRB brackets: 900 mm.

THREADED ROD MOUNTING BRACKETS



Code	Supported duct inner size (mm)		Mounting type	Package
	H	Size		
OPW-TR-16/100	1000	M16	From the ceiling	1 pc
OPW-TR-16/200	2000	M16	From the ceiling	1 pc
OPW-TR-CM	–	M16	Threaded rod mounting bracket for ceiling installation with OPW-TR-16/100 or 200, dowels not included	1 pc
OPW-TR-16/20	210	M16	On top of the rack using OPW-TR-BR	1 pc
OPW-TR-16/40	400	M16	On top of the rack using OPW-TR-BR	1 pc
OPW-TR-16/60	600	M16	On top of the rack using OPW-TR-BR	1 pc
OPW-TR-BR	–	M16	Threaded rod mounting bracket for ceiling installation with OPW-TR-16/100 or 200	1 pc

Note: All dimensions in mm



CONTEG, spol. s r.o.

Headquarters:

Na Vitezne plani 1719/4
140 00 Prague 4
Czech Republic

Production plant:

K Silu 2179
393 01 Pelhrimov
Czech Republic

Tel.: +420 565 300 362

conteg@conteg.com

www.conteg.com

CONTEG