

**DATASHEET**  
Open frames  
RSG4

**CONTEG**

# FREE-STANDING RACKS

# OPEN FRAMES RSG4



42U with outward-oriented base and adjustable profile for depths 920–1100 mm

➤ **RSG4** high-load, four post open frames ensure unbeatable accessibility. With a balanced load rating of up to 1500 kg, they are ideal for installation of heavy servers, disk arrays, etc.

## MAIN ADVANTAGES

- 4-post frame for heavy IT hardware (up to 1500 kg)
- Unlimited access for component installation
- Full on-site configurability and depth adjustment
- High Density Wire Management compatible
- Unassembled version for transport to inaccessible spaces

COLOR:  RAL 9005

## DESCRIPTION

### Sizes

- Height: 42, 47U
- Width: 550 mm
- Depth: 500–680 mm, 710–890 mm, 920–1100 mm (step 30 mm)

### Load rating

- 1500 kg (balanced load)

### IP rating

- IP00 (no protection)

### Construction

- 2.0 mm sheet steel

### Color

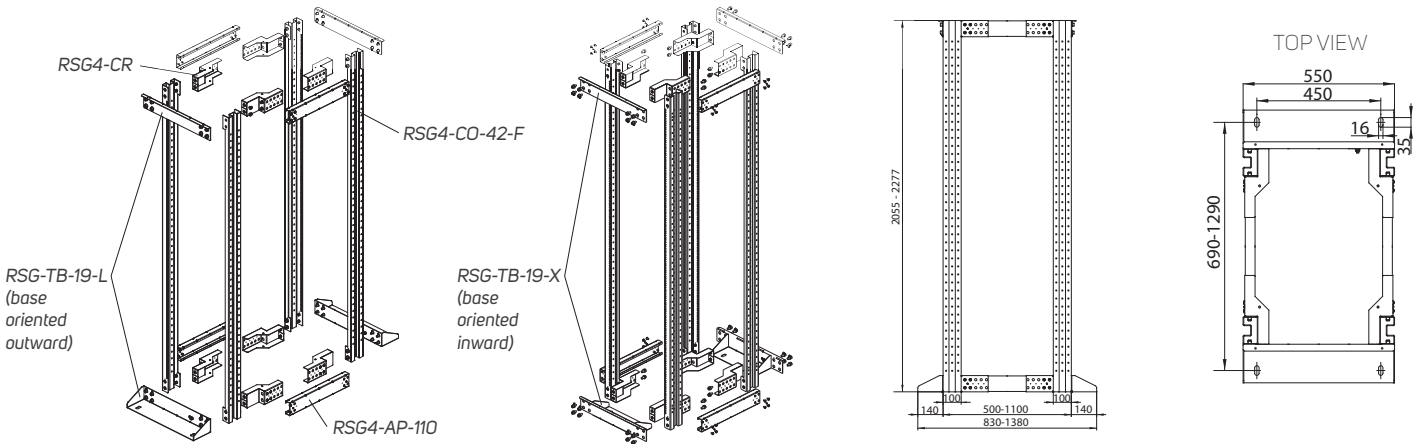
- Standard RAL 9005

### Base

- Composed of sheet steel
- L – outward-oriented (X – inward-oriented optionally)
- Complete with holes for anchoring screws

### Delivered unassembled and consists of

- 2 pairs of 19" vertical extrusions
- Corners
- Outward-oriented or inward-oriented base with upper parts
- Adjustable profile with required depths



Code	Description	42U			47U		
		Height 2055 mm, Width 550 mm			Height 2277 mm, Width 550 mm		
		Depth 500-680 mm	Depth 710-890 mm	Depth 920-1100 mm	Depth 500-680 mm	Depth 710-890 mm	Depth 920-1100 mm
RSG4-CO-42-F	19" vertical extrusions (with U markign) for 42U	2 <sup>1</sup>	2 <sup>1</sup>	2 <sup>1</sup>	-	-	-
RSG4-CO-47-F	19" vertical extrusions (with U markign) for 47U	-	-	-	2 <sup>1</sup>	2 <sup>1</sup>	2 <sup>1</sup>
RSG4-CR	Corners	1	1	1	1	1	1
RSG-TB-19-L	Outward-oriented base, upper parts	1 <sup>2</sup>	1 <sup>2</sup>	1 <sup>2</sup>	1 <sup>2</sup>	1 <sup>2</sup>	1 <sup>2</sup>
RSG-TB-19-X	Inward-oriented base, upper parts	-	-	-	-	-	-
RSG4-AP-68	Adjustable profile for depths 500-680 mm	1	-	-	1	-	-
RSG4-AP-89	Adjustable profile for depths 710-890 mm	-	1	-	-	1	-
RSG4-AP-110	Adjustable profile for depths 920-1100 mm	-	-	1	-	-	1

<sup>1</sup>Necessary to order 2 pcs. <sup>2</sup>For mounting the frame, either an inward or outward-oriented base must be ordered.



**CONTEG, spol. s r.o.**

**Headquarters:**

Na Vitezne plani 1719/4  
140 00 Prague 4  
Czech Republic

**Production plant:**

K Silu 2179  
393 01 Pelhrimov  
Czech Republic

Tel.: +420 565 300 362

[conteg@conteg.com](mailto:conteg@conteg.com)

[www.conteg.com](http://www.conteg.com)

**CONTEG**